

KLIMA-FLEX BRIDGE CLAMP WITH WING KNOB



Bridge clamp for closing doors and panels. Available in two versions: with M8- or M6-threaded wing knob (see table below).



MATERIAL

Bridge clamp: Glass fibre reinforced polyamide (PA6GF30)

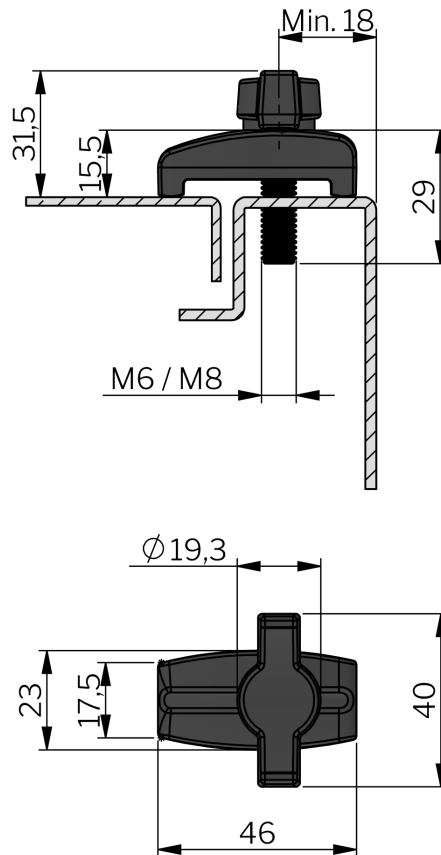
Cast-in bolts: Steel, zinc plated or stainless steel 304

Knob: Glass fibre reinforced polyamide (PA6GF30)

RELATED PRODUCTS

Similar products: 5-214, 5-215

Use the Index Code at industrilas.com



P/N	Description	Material
593000-8	Bridge clamp with M8 screw	Stainless steel 304
595000-6	Bridge clamp with M6 screw	Steel
595000-8	Bridge clamp with M8 screw	Steel